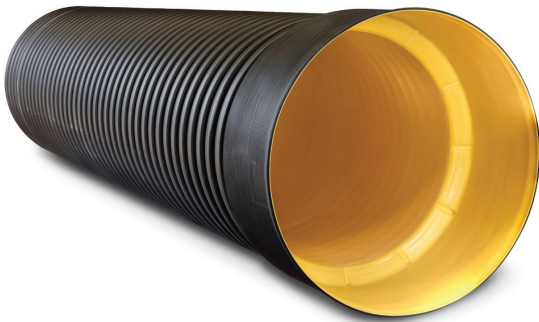


PP Stormwater Systems

BlackMax® GR8600

DN600 x 6m SN8 BlackMax Pipe RRJ



Application

Used to convey rainwater or surface water. Suitable for stormwater drainage, road culverts, low head irrigation and stormwater retention.

Features

- Australian made
- Lightweight and safer to install
- Operational efficiencies
- High performance rubber ring joint
- Resistant to root intrusion
- Smooth internal bore
- Recyclable

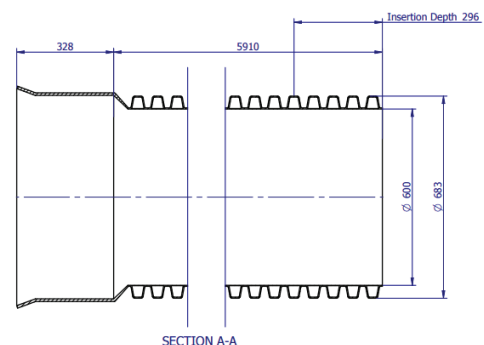
Technical Data

Product Properties

Material	Polypropylene (PP-B)
Colour	Black with yellow internal liner
Nominal stiffness	SN8
Approximate mass	124kg/length
Maximum allowable operation temperature*	50°C
Unprotected UV exposure (years)	2 years

Product Dimensions

Minimum effective length	5910mm
Mean Pipe OD	682mm
Mean Pipe ID	596mm
Min socket length	288mm
Socket OD (REF)	750mm
Profile pitch	66mm
Witness mark	5th Rib



Crate

Crate quantity*	3
Approximate crate mass	372kg

*For short term, intermittent exposure. Contact Iplex for further details

*Pack configuration 3 pipes across by 1 high.

PP Stormwater Systems

BlackMax® GR8600
DN600 x 6m SN8 BlackMax Pipe RRJ
Pipe Joint Details

Pipe spigot and socket joint with rubber ring seal.

Iplex rubber ring code	GERSEW600
Joint type	RRJ
Rubber ring material	SBR
Average number of joints per kg – lubricant	6
Minimum radius of pipe curvature	86mm
Maximum socket deflection	2°

Standards
Environmental Declarations and Standards

Environmental declaration	Environmental Product Declaration (EPD) S-P-00714
Product standard	AS/NZS 5065 "Polyethylene and polypropylene pipes & fittings for drainage & sewerage applications"
Quality standard	Quality Management System ISO9001 Certificate No QEC0037
Structural design and installation standard	AS/NZS 2566.1 "Buried flexible pipelines - Part 1, Structural design" AS/NZS 2566.2 "Buried flexible pipelines - Part 2, Installation" AS/NZS 2033 "Design and Installation of Polyolefin pipe systems"
Product certification	WaterMARK WMKA20603 and StandardsMark SMKP20603

Material Properties
Mechanical

Density 'Specific Gravity'	0.9
Tensile yield strain (50mm/min)	8%
Ring bending stiffness	≥8000 N/m/m
Tensile yield stress (50mm/min)	31 MPa
Creep ratio	3
Hardness shore D	60
Poissons ratio	0.45
Min ring flexibility ¹	30%
Ring bending modulus (3mins)	1300 MPa
Apparent ring bending modulus (50 years)	342 MPa

¹Ring flexibility is the minimum deflection required without buckling, cracking or permanent deformation.

PP Sewer Systems

BlackMax® GR8600

DN600 x 6m SN8 BlackMax Pipe RRJ

Thermal

Coefficient of thermal expansion	15x10 ⁻⁵ /°C
Thermal conductivity	0.22 W/m.K
Specific heat	1700 J/kg/°C
Vicat softening temperature	157°C