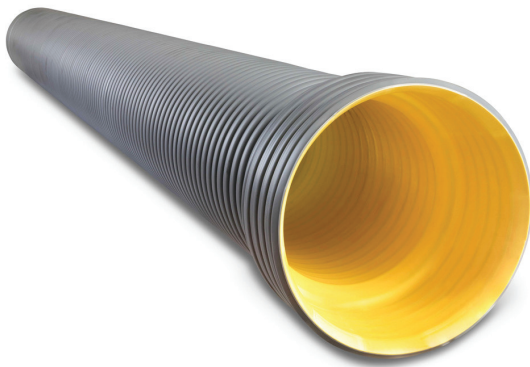


PP Sewer Systems

SewerMax® GR10225C

DN225 x 3m SN10 SewerMax Pipe RRJ



Application

Used to convey sewage in gravity sewer mains.

Features

- Australian made
- Lightweight and safer to install
- Operational efficiencies
- High performance rubber ring joint
- Resistant to root intrusion
- Smooth internal bore
- Recyclable

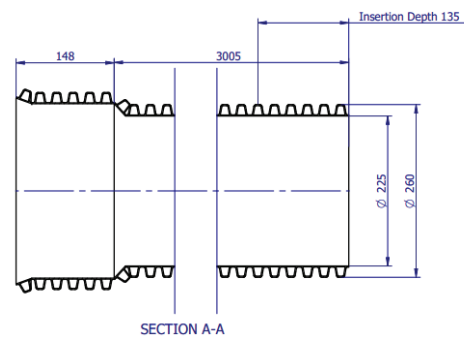
Technical Data

Product Properties

Material	Polypropylene (PP-B)
Colour	Grey with yellow internal liner
Nominal stiffness	SN10
Approximate mass	12kg/length
Maximum allowable operation temperature ¹	50°C
Unprotected UV exposure (years)	2 years

Product Dimensions

Minimum effective length	3000mm
Mean Pipe OD	259mm
Mean Pipe ID	225mm
Min socket length	128mm
Socket OD (REF)	305mm
Profile pitch	25mm
Witness mark	6th Rib



Crate

Crate quantity ²	8
Approximate crate mass	109kg

¹For short term, intermittent exposure. Contact Iplex for further details

²Pack configuration 4 pipes across by 2 high.

PP Sewer Systems

SewerMax® GR10225C
DN225 x 3m SN10 SewerMax Pipe RRJ
Pipe Joint Details

Pipe spigot and socket joint with rubber ring seal.

Iplex rubber ring code	GERSEW225
Joint type	RRJ
Rubber ring material	SBR
Average number of joints per kg – lubricant	17
Minimum radius of pipe curvature	86m
Maximum socket deflection	2°

Standards
Environmental Declarations and Standards

Environmental declaration	Environmental Product Declaration (EPD) S-P-00714
Product standard	AS/NZS 5065 "Polyethylene and polypropylene pipes & fittings for drainage & sewerage applications"
Quality standard	Quality Management System ISO9001 Certificate No QEC0037
Structural design and installation standard	AS/NZS 2566.1 "Buried flexible pipelines - Part 1, Structural design" AS/NZS 2566.2 "Buried flexible pipelines - Part 2, Installation" AS/NZS 2033 "Design and Installation of Polyolefin pipe systems"
Product certification	WaterMARK WMKA20603 and StandardsMark SMKP20603

Material Properties
Mechanical

Density 'Specific Gravity'	0.9
Tensile yield strain (50mm/min)	8%
Ring bending stiffness	≥10000 N/m/m
Tensile yield stress (50mm/min)	31 MPa
Creep ratio	3
Hardness shore D	60
Poissons ratio	0.45
Min ring flexibility ¹	30%
Ring bending modulus (3mins)	1300 MPa
Apparent ring bending modulus (50 years)	342 MPa

¹Ring flexibility is the minimum deflection required without buckling, cracking or permanent deformation.

PP Sewer Systems

SewerMax® GR10225C**DN225 x 3m SN10 SewerMax Pipe RRJ****Thermal**

Coefficient of thermal expansion	15x10 ⁻⁵ /°C
Thermal conductivity	0.22 W/m.K
Specific heat	1700 J/kg/°C
Vicat softening temperature	157°C